

INSTALLATION INSTRUCTIONS FOR

T-Zone™ Lever Lock U.S. Patent No. 6,626,018

SARGENT

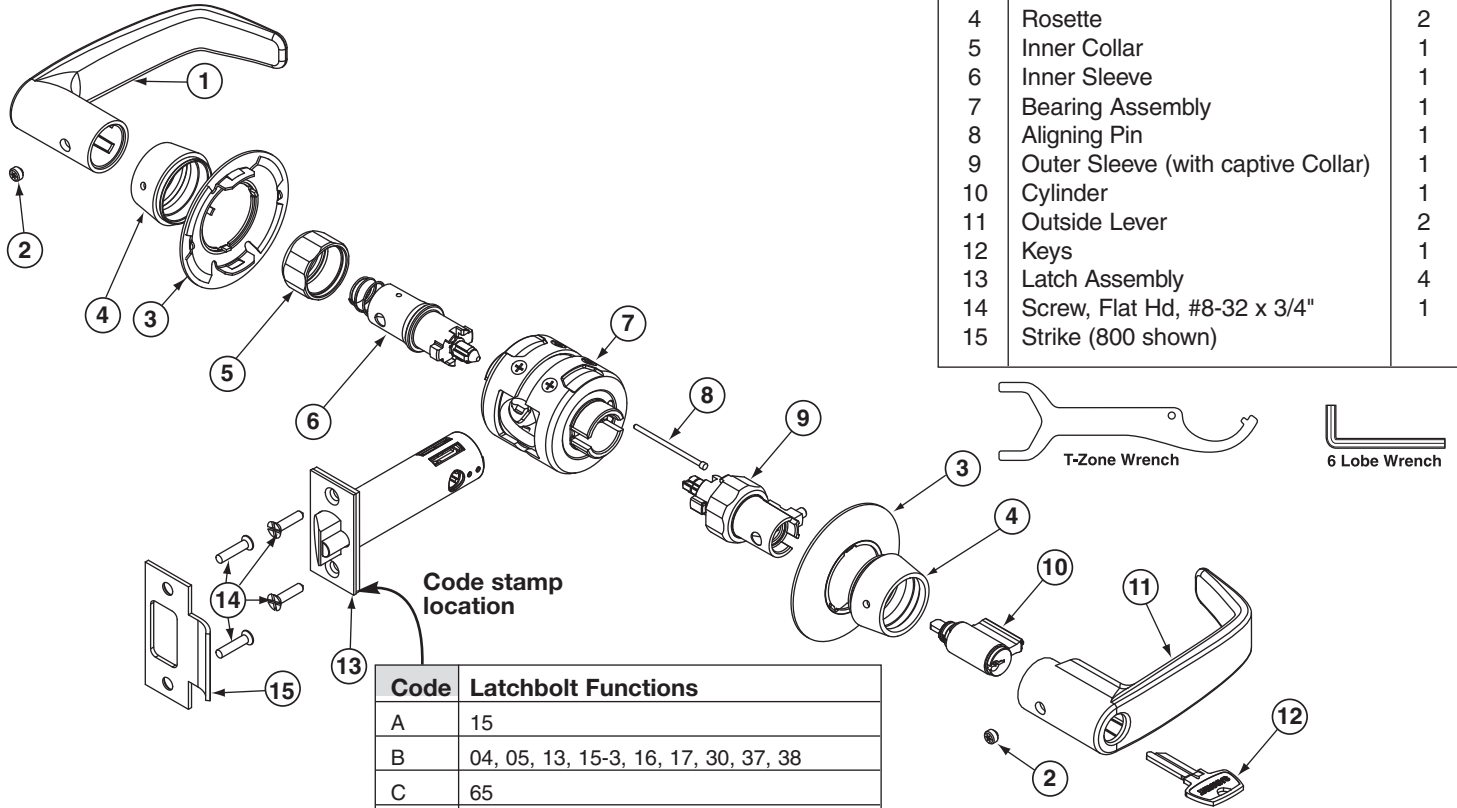
ASSA ABLOY

FOR ASSISTANCE, CONTACT SARGENT AT 800-727-5477 or www.sargentlock.com

SEE SPECIFIC INSTRUCTIONS PER FUNCTION

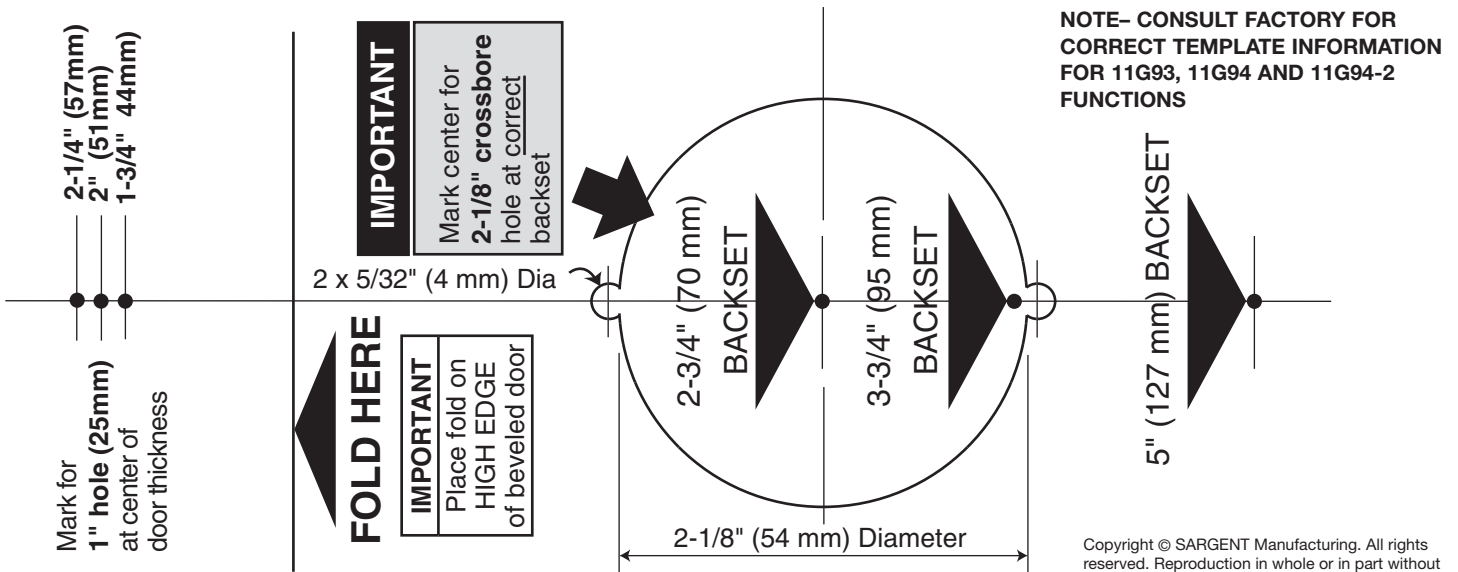
IDENTIFY FUNCTION ON BOX (Example: 11G37)

Item	Description	Qty.
1	Inside Lever	1
2	6 Lobe Security Set Screw, 1/4-28 x 11/64"	2
3	Rose	2
4	Rosette	2
5	Inner Collar	1
6	Inner Sleeve	1
7	Bearing Assembly	1
8	Aligning Pin	1
9	Outer Sleeve (with captive Collar)	1
10	Cylinder	1
11	Outside Lever	2
12	Keys	1
13	Latch Assembly	4
14	Screw, Flat Hd, #8-32 x 3/4"	1
15	Strike (800 shown)	1



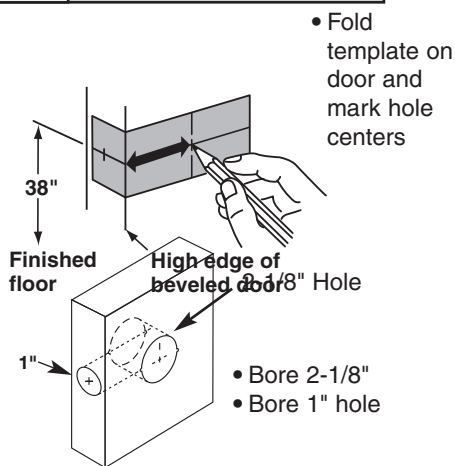
Code	Latchbolt Functions
A	15
B	04, 05, 13, 15-3, 16, 17, 30, 37, 38
C	65
D	44, 50, 54
K	24

LATCHBOLTS ARE NOT INTERCHANGEABLE.

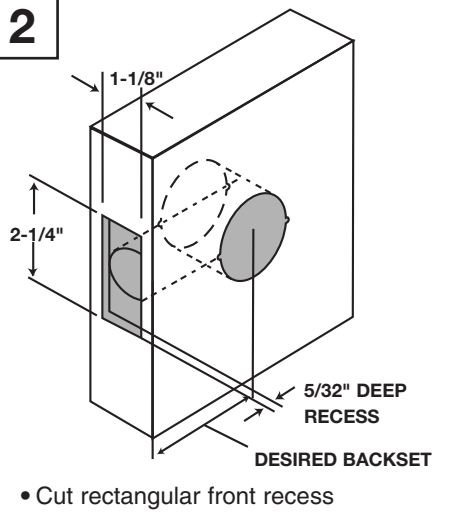


Copyright © SARGENT Manufacturing. All rights reserved. Reproduction in whole or in part without the express written permission of SARGENT Manufacturing is prohibited.

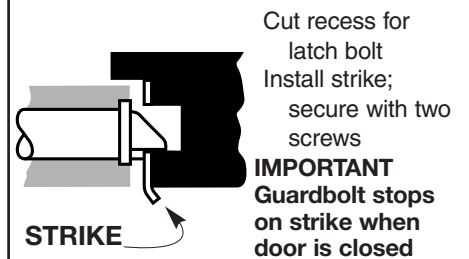
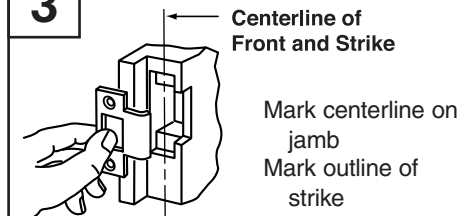
1 Door Preparation



2

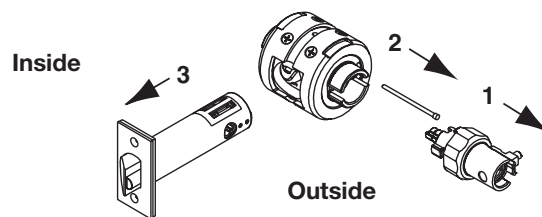


3



4 Lock Disassembly

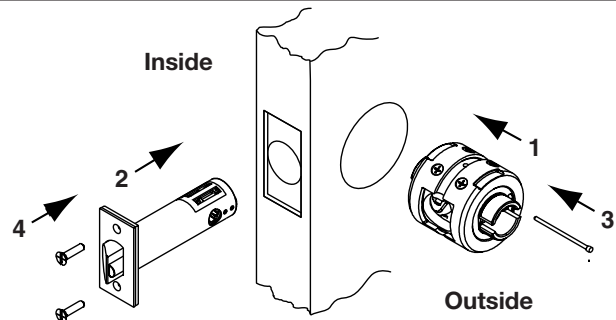
1. Unthread collar and remove OUTSIDE sleeve
2. Remove aligning pin from bearing assembly
3. Separate latch from bearing assembly



5 Latchset Installation

Hold door open with door stop

1. Insert bearing assembly
2. Insert latch assembly
3. Insert aligning pin from secure side (outside) of door
4. Install latch plate screws. Do not tighten completely until lock installation is finished



6 FUNCTION SPECIFIC INSTRUCTIONS - INSIDE/OUTSIDE SLEEVE ASSEMBLY

CAM ROTATION MAY BE CLOCKWISE OR COUNTER-CLOCKWISE

11G04, 11G16

- Align driver tips on outside sleeve, matching painted sections. Rotate cam in **OUTSIDE SLEEVE**.
NOTE: YOU MUST BE ABLE TO DEPRESS THE ENTIRE LOCKING PIECE WITHIN THE SLEEVE.

11G05, 11G24, 11G44

- Align driver tips on outside sleeve, matching painted sections. Rotate cam in **OUTSIDE SLEEVE**.
NOTE: YOU MUST BE ABLE TO DEPRESS THE ENTIRE LOCKING PIECE WITHIN THE SLEEVE.
Push button on inside sleeve must be in the **UNLOCKED** position.
NOTE: KEY WILL SPIN FREELY 360° IF THE OUTSIDE LEVER IS UNLOCKED.

11G17

- Align driver tips on both Inside and Outside sleeves matching painted sections. Rotate cams in both **INSIDE and OUTSIDE SLEEVES**.

NOTE: YOU MUST BE ABLE TO DEPRESS THE ENTIRE LOCKING PIECE WITHIN THE OUTSIDE SLEEVE.
NOTE: Since BOTH driver tips are spring-loaded, more resistance will be felt in sleeve assembly.

11U65

- Align driver tips on outside sleeve, matching painted sections. Rotate cam in **OUTSIDE SLEEVE**.
NOTE: YOU MUST BE ABLE TO DEPRESS THE ENTIRE LOCKING PIECE WITHIN THE SLEEVE.
Push button on inside sleeve must be in the **UNLOCKED** position.

7 Sleeve Installation

1. With driver tips aligned, insert outside sleeve first. Dimple must face door edge
2. Thread outside collar by hand. Tighten to bearing assembly with wrench
3. Insert inside sleeve. Dimple must face door edge
4. Thread inside collar by hand. Tighten to bearing assembly with wrench

Caution: If excessive wrench torque is required, stop and check alignment of driver tips

IMPORTANT: Sleeves with colored driver tips require that the slotted cam be rotated allowing the spring loaded locking piece to move freely in and out of the outside sleeve

Driver Tips with red markings must match up before assembling lock

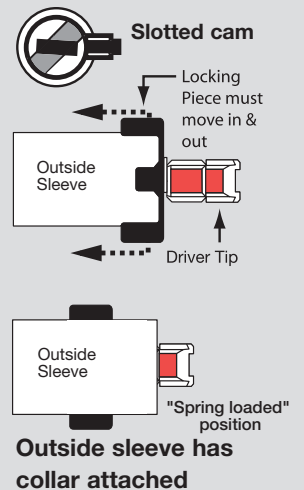
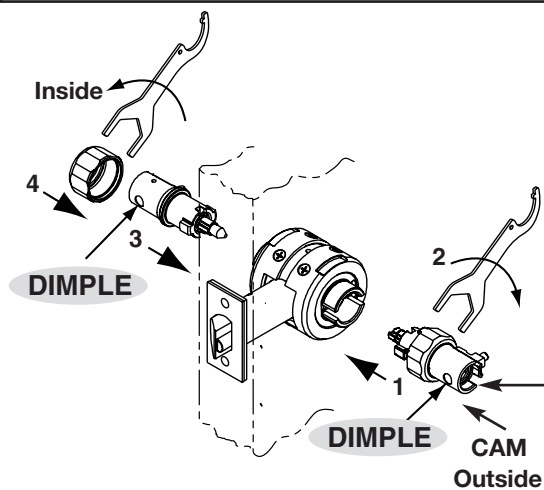
PLEASE NOTE – Some driver tips have two color markings for function identification

11G54 - green

11U65 - blue

11G24 - yellow

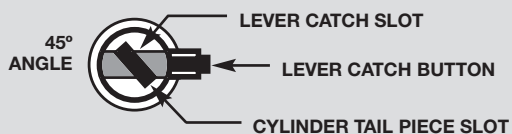
11G05 - only red



8 Rose Installation

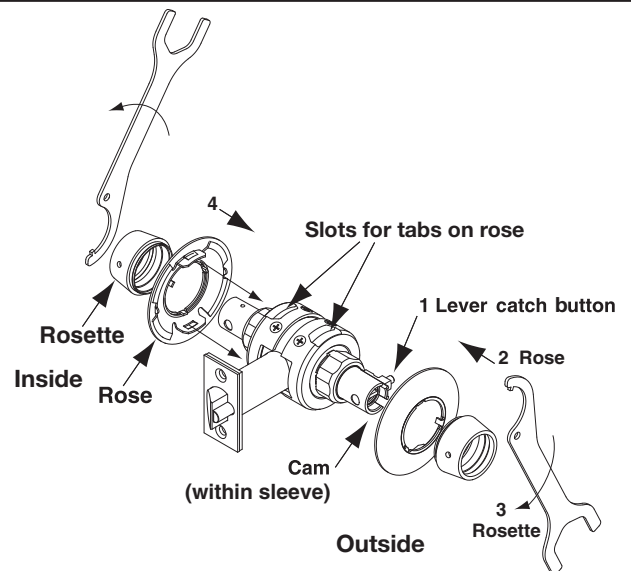
1. Turn slotted cam until lever catch button can be depressed
2. Slip outside rose over lever catch button. Align tabs on rose with slots on bearing assembly

CORRECT CAM ORIENTATION



3. Thread outside rosette. Tighten to door surface
4. Slip inside rose over inside sleeve. Align tabs on rose with slots on bearing assembly. Thread inside rosette. Tighten to door surface

Caution: If excessive wrench torque is required, stop & check for cross-threading

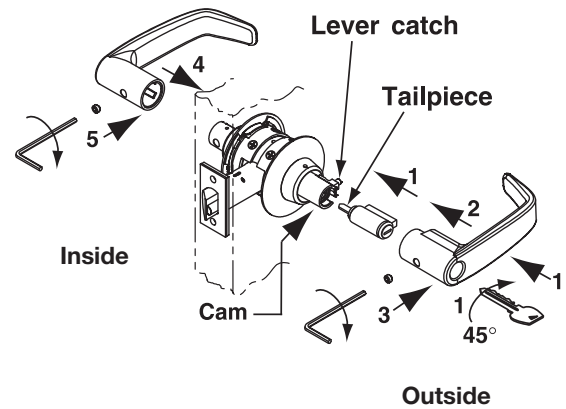


9 FUNCTION SPECIFIC INSTRUCTIONS - LEVER INSTALLATION

- 11G04** • Rotate cam in **OUTSIDE SLEEVE** until lever catch button can be depressed to hold cam in rotated position.
- 11G05, 11G24, 11U65** • Depress push button on **INSIDE SLEEVE**. Rotate cam in **OUTSIDE SLEEVE** releasing push button. Depress lever catch button. Use to hold cam in rotated position.
- 11G16** • Rotate cam counter-clockwise completely in **INSIDE SLEEVE**.
NOTE: Key in outside lever will spin freely if lever is unlocked.
- 11G30** • Rotate cams counter-clockwise in **BOTH SLEEVES** (inside and outside). Rotate **BOTH** cams clockwise slightly until lever catch button can be depressed.
- 11G37, 11G54** • Rotate cam counter-clockwise in **OUTSIDE SLEEVE**. Rotate cam clockwise slightly until lever catch button can be depressed.
NOTE: Key must be rotated completely clockwise after lever is installed to unlock outside lever.
- 11G38** • Rotate cams counter-clockwise in **BOTH SLEEVES** (inside and outside).
- 11G50** • Refer to Instruction Sheet A7608.

10 Lever Installation

1. For conventional cylinder, place cylinder into lever. Insert key and turn 45° CLOCKWISE to align cylinder tailpiece with deep slot in cam (see slotted cam illustration in step 7). For removable or interchangeable core, see separate instruction sheet (A7471).
2. Install outside lever. Push on until lever catch engages
3. Secure with 6 lobe security set screw until flush with lever surface
4. Install inside lever. On 17 and 30 function, push on until lever catch engages.
5. Secure with 6 lobe security set screw until flush with lever surface
6. Complete tightening of two latchbolt screws
7. Check operation of levers and latchbolt before closing door

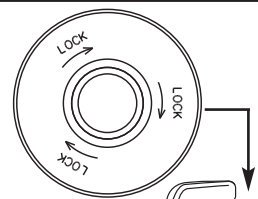


11 11G38 Classroom Security Function

Please Note – When **inside** key locks outside lever, outside key retracts the latchbolt but cannot unlock the outside lever. Outside key must be rotated back **completely** clockwise before removing the key.

Inside rose is marked with "Lock" and direction arrows to indicate locking direction

INSIDE:
Rotate key **CLOCKWISE** TO LOCK. Rotate key **COUNTER-CLOCKWISE** TO UNLOCK



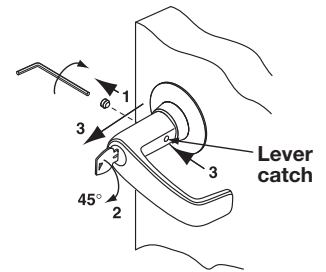
Inside **Outside**

OUTSIDE:
Rotate key **COUNTER-CLOCKWISE** TO LOCK. Rotate key **CLOCKWISE** TO UNLOCK.

12 Cylinder Removal (Conventional)

1. Remove 6 lobe security set screw
2. Insert key and rotate 45° clockwise to release lever catch
3. Depress lever catch and remove lever

Please Note: Removable and interchangeable core cylinders do not require removing the lever to install. See separate instruction sheet (A7471).



13 11U65 Outside Lever Removal

1. Remove 6 lobe security set screw
2. Rotate slot on outside lever with flat blade screwdriver 45° to release lever catch
3. Depress lever catch and remove lever