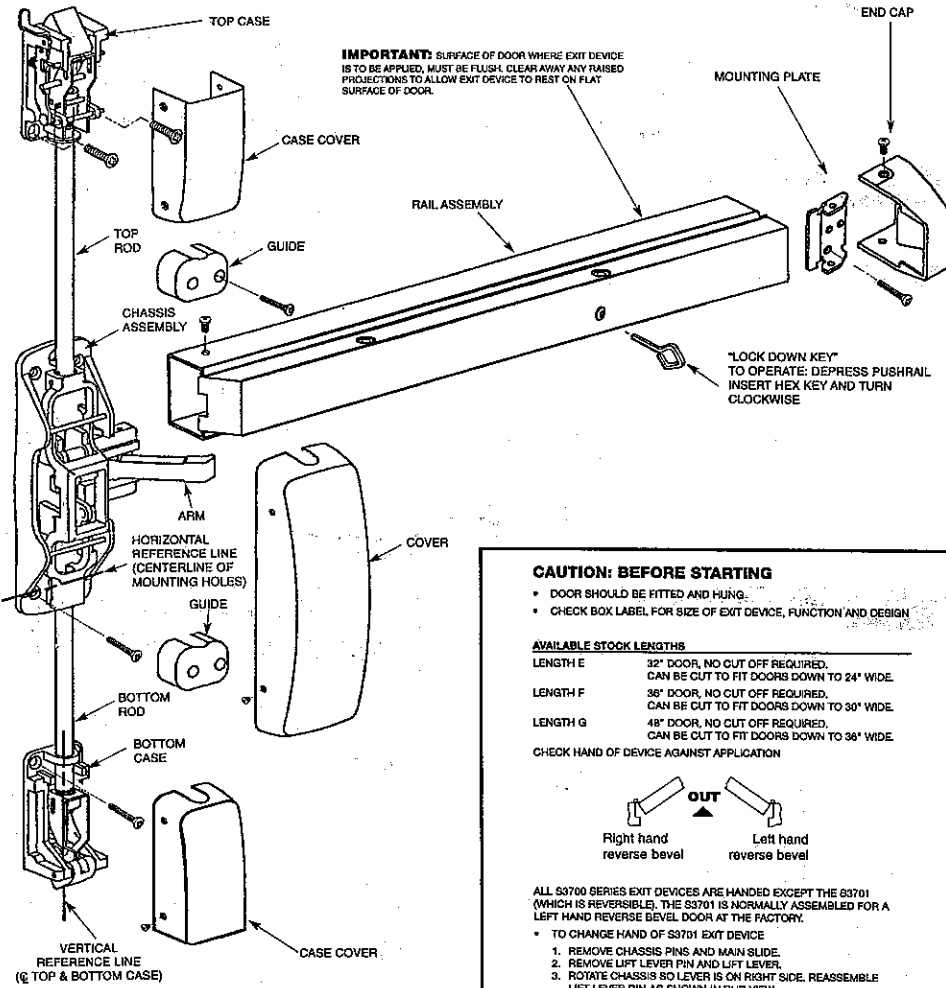


INSTRUCTIONS FOR INSTALLING S3700 SERIES VERTICAL ROD EXIT DEVICE



LEFT HAND REVERSE BEVEL ILLUSTRATED

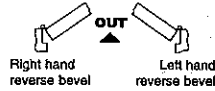
CAUTION: BEFORE STARTING

- DOOR SHOULD BE FITTED AND HUNG.
- CHECK BOX LABEL FOR SIZE OF EXIT DEVICE, FUNCTION AND DESIGN.

AVAILABLE STOCK LENGTHS

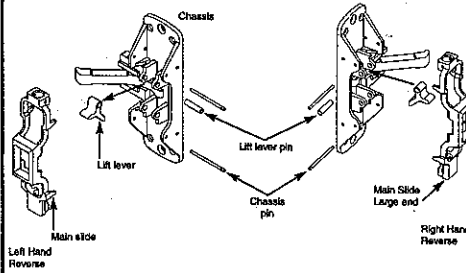
LENGTH E	32" DOOR, NO CUT OFF REQUIRED. CAN BE CUT TO FIT DOORS DOWN TO 24" WIDE.
LENGTH F	36" DOOR, NO CUT OFF REQUIRED. CAN BE CUT TO FIT DOORS DOWN TO 30" WIDE.
LENGTH G	48" DOOR, NO CUT OFF REQUIRED. CAN BE CUT TO FIT DOORS DOWN TO 36" WIDE.

CHECK HAND OF DEVICE AGAINST APPLICATION



ALL S3700 SERIES EXIT DEVICES ARE HANDED EXCEPT THE S3701 (WHICH IS REVERSIBLE). THE S3701 IS NORMALLY ASSEMBLED FOR A LEFT HAND REVERSE BEVEL DOOR AT THE FACTORY.

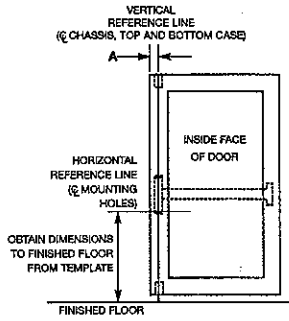
- TO CHANGE HAND OF S3701 EXIT DEVICE
1. REMOVE CHASSIS PINS AND MAIN SLIDE.
 2. REMOVE LIFT LEVER PIN AND LIFT LEVER.
 3. ROTATE CHASSIS SO LEVER IS ON RIGHT SIDE. REASSEMBLE LIFT LEVER PIN AS SHOWN IN RHR VIEW.
 4. REPLACE MAIN SLIDE AND CHASSIS PINS WITH LARGE END OF MAIN SLIDE ON BOTTOM.



AP9-0403

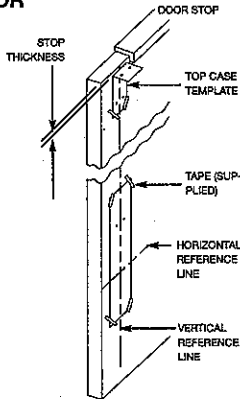
FIRST MARK VERTICAL AND HORIZONTAL REFERENCE LINES ON DOOR

DETERMINE DIMENSION "A" TO LOCATE VERTICAL REFERENCE LINE.
 IF LOCK STYLE IS APPROX. 4-1/2" WIDE OR WIDER, A = 2-3/4".
 IF LOCK STYLE IS LESS THAN 4-1/2" WIDE, A = 1/2 THE EXPOSED WIDTH OF LOCK STYLE WHEN DOOR IS CLOSED AGAINST STOP.)
 REFER TO TEMPLATE TO LOCATE HORIZONTAL REFERENCE LINE.



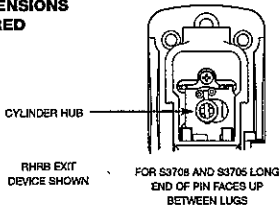
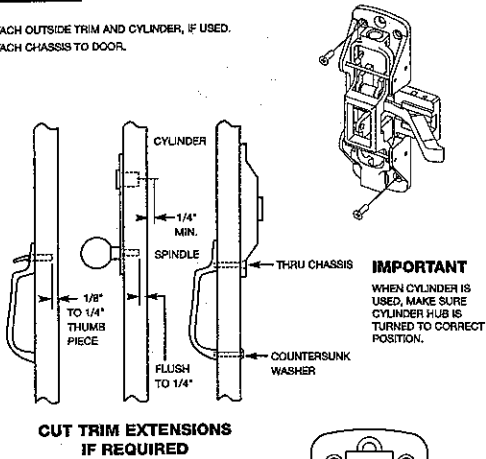
SECOND PREPARE DOOR

TAPE TEMPLATE ON INSIDE OF DOOR ALONG REFERENCE LINES, SPOT AND DRILL HOLES.
 MORTISE HOLES FOR OUTSIDE TRIM, IF REQUIRED.



THIRD APPLY HARDWARE

ATTACH OUTSIDE TRIM AND CYLINDER, IF USED.
 ATTACH CHASSIS TO DOOR.

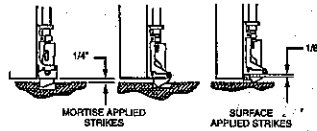


FOURTH ATTACH TOP AND BOTTOM CASES

1. SCREW ROD INTO TOP CASE UNTIL FINGER TIGHT.
2. SLIDE TOP ROD INTO MAIN SLIDE. DO NOT PIN IN PLACE.
3. ATTACH TOP CASE AT LOCATION PREPPED IN SECOND STEP.
4. UNSCREW TOP ROD UNTIL THE CENTER HOLE IS ALIGNED WITH THE HOLE IN THE MAIN SLIDE.
5. INSERT ROD ADJUSTMENT PIN.
6. SCREW ROD INTO BOTTOM CASE UNTIL FINGER TIGHT.
7. SLIDE BOTTOM ROD INTO MAIN SLIDE.
8. INSERT ADJUSTMENT PIN IN MIDDLE HOLE.
9. ENSURE RAIL IS NOT LOCKED DOWN.
10. POSITION BOTTOM CASE ON DOOR TO ACHIEVE GAP INDICATED FOR STRIKE APPLICATION BELOW.
11. DRILL MOUNTING HOLES.
12. MOUNT BOTTOM CASE AND TIGHTEN SCREWS SECURELY.

ADJUSTMENT

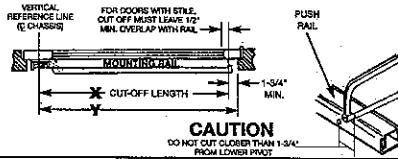
1. FINE ADJUSTMENT IS MADE BY TURNING ROD IN OR OUT OF TOP OR BOTTOM CASE.
2. ROUGH ADJUSTMENT IS MADE BY CHANGING HOLE USED FOR ADJUSTMENT PIN.
3. BOTTOM BOLT SHOULD BE VISIBLY ENGAGED WITH STRIKE. IF BOLT IS NOT ENGAGED ADJUST BOTTOM ROD FOR LONGER LENGTH.
4. ACTUATE RAIL.
5. DOOR SHOULD OPEN FREELY. IF DOOR FAILS TO OPEN FREELY ADJUST BOTTOM ROD FOR SHORTER LENGTH.



FIFTH APPLY RAIL ASSEMBLY

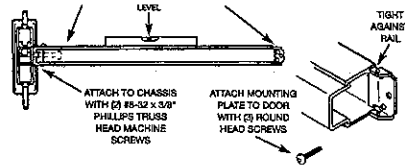
- CHECK BOX LABEL. IF CUTTING IS NOT REQUIRED, PROCEED TO STEP "B".
- IF CUTTING IS REQUIRED, CONTINUE WITH STEP "A".

A DETERMINE CUT OFF DIMENSION "X" BY SUBTRACTING 1-3/4" FROM DIMENSION "Y". MARK CUT OFF POINT ON MOUNTING RAIL.



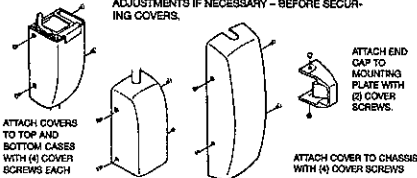
CAUTION
 DO NOT CUT CLOSER THAN 1-3/4" FROM LOWER END

B DEPRESS ARM INTO RAIL OPENING AND SLIDE RAIL ONTO CHASSIS. LEVEL RAIL AND FASTEN MOUNTING PLATE.



SIXTH APPLY COVERS

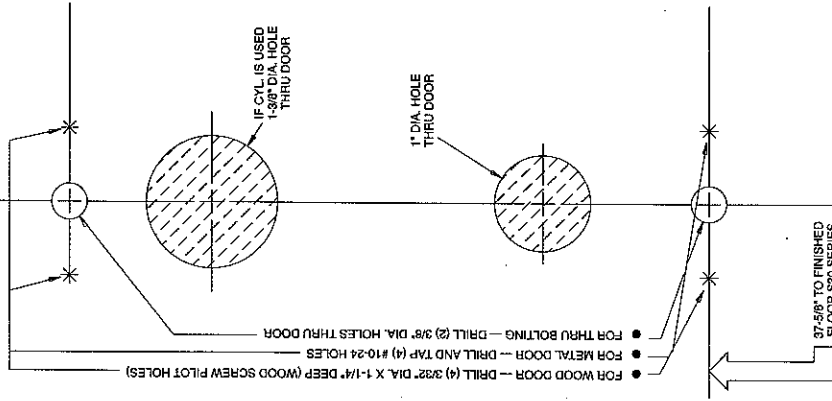
CHECK OPERATION OF EXIT DEVICE AND MAKE ADJUSTMENTS IF NECESSARY - BEFORE SECURING COVERS.



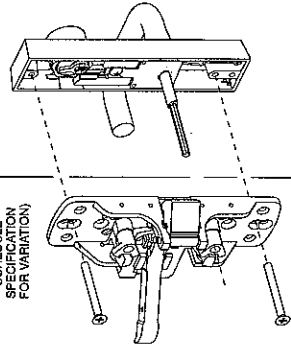
VERTICAL CENTER LINE

FOR LOCATION OF VERTICAL CENTER LINE
SEE INSTALLATION INSTRUCTION SHEET

TEMPLATE FOR
RIM TYPE EXIT DEVICE
S3882, S3883
S3884, S3885
USING SL LEVER TRIM TRIM



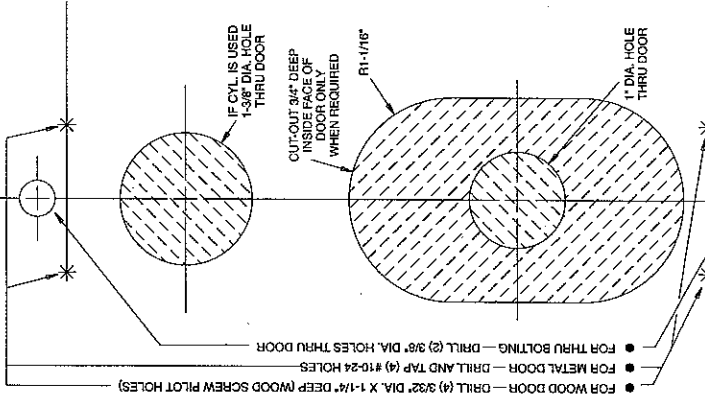
RT 68" TO FINISHED
FLOOR SSP SERIES
EXIT DEVICE
PUSH BAR 41"
FROM FLOOR
(CHECK HARDWARE
SPECIFICATION
FOR VARIATION)



VERTICAL CENTER LINE

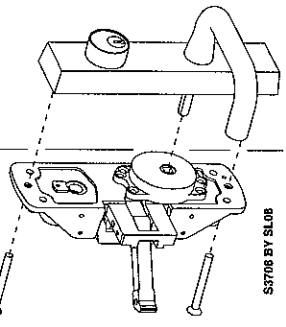
FOR LOCATION OF VERTICAL CENTER LINE
SEE INSTALLATION INSTRUCTION SHEET

TEMPLATE FOR	
S1702	S2702
S1802	S2702
S1708A	S2708A
S1808A	S2708A
USING SL LEVER TRIM TRIM	



- FOR WOOD DOOR — DRILL (4) $\frac{3}{32}$ " DIA. X 1-1/4" DEEP (WOOD SCREW PILOT HOLES)
- FOR METAL DOOR — DRILL AND TAP (4) #10-24 HOLES
- FOR THRU BOLTING — DRILL (2) $\frac{3}{8}$ " DIA. HOLES THRU DOOR

37-5/8" TO FINISHED FLOOR S10 SERIES EXIT DEVICE CROSSBAR S20 SERIES EXIT DEVICE PUSH BAR 41" FROM FLOOR (CHECK HARDWARE SCHEDULE FOR VARIATION)



S2706 BY SLO8



VERTICAL CENTER LINE